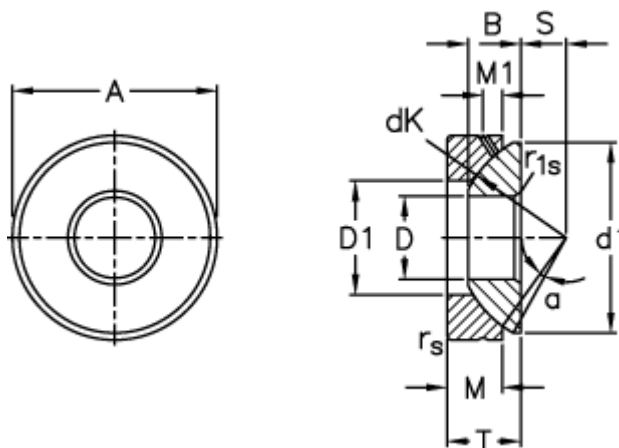


Article number: 03511017

Description: Fluro Rod end GE 17AX

Measures



A	= 47 0 -0,011	M1	= 5
B	= 11.8	rs, r1s min	= 0.6
D	= 17 0 -0,008	S	= 11
d1 max	= 43.5	Static axial load C0 (kN)	= 300
D1 min	= 27	T	= 16 +0,25 -0,40
dK	= 52	Tilt angle	= 4
Dynamic axial load C (kN)	= 58.5	Weight	= 137
M	= 11.2		